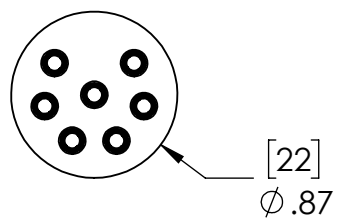


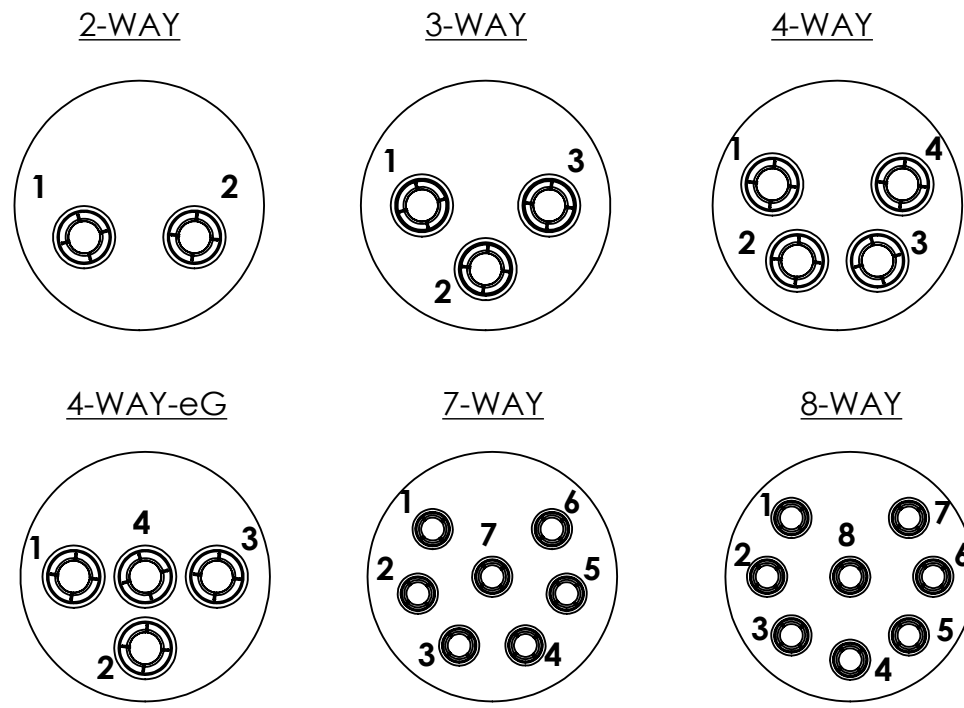
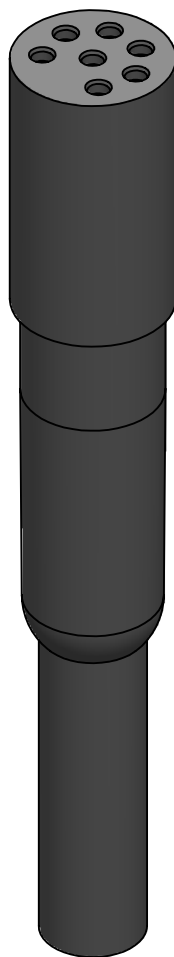
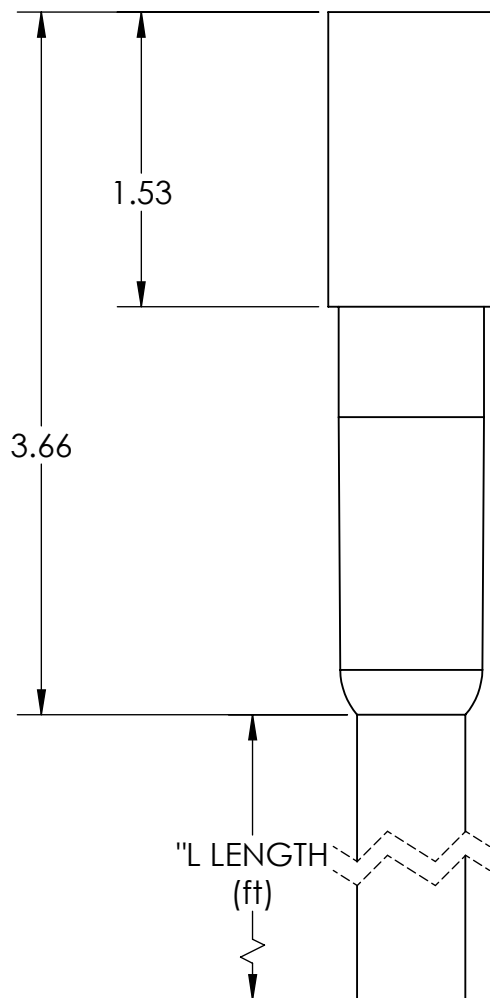
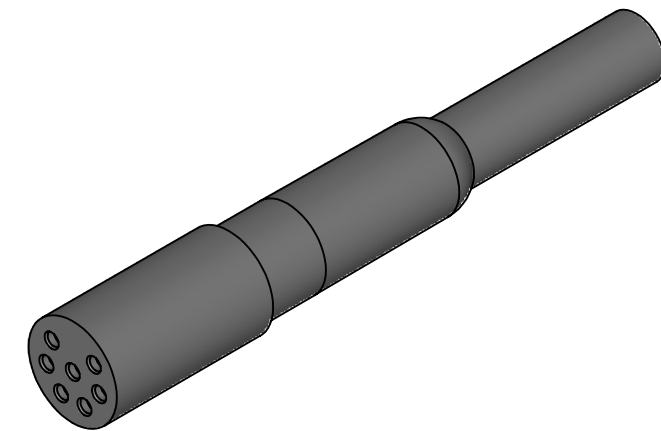
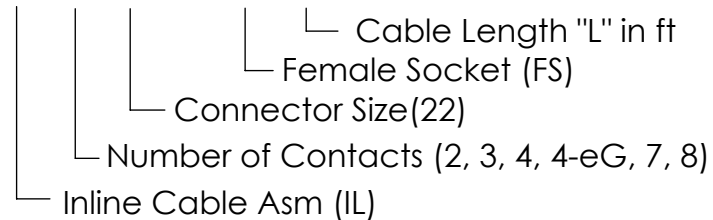
REVISIONS			
REV.	DESCRIPTION	DATE	APPROVED
0	INITIAL RELEASE	11/15/2023	SCC
1	REMOVED LS	3/12/2024	SCC

7-WAY SHOWN FOR REFERENCE



### Part Numbering Scheme

**IL - 2x22mm - FS - 25**



\*\* For use with Extended Grounding Pin

Contact to SOOW cable assignment (Based on ICEA Method 1 Color Code)

Contact #	Wire Color
1	Black
2	White
3	Red
4	Green
5	Orange
6	Blue
7	White w/Black Stripe
8	Red w/Black Stripe

\* 3-WAY: 1-Black, 2-White, 3-Green

### Specifications

Voltage Rating	600V
Pressure Rating	10,000 psi
Socket Material	Gold Plated Cu Alloy
Dielectric Material	Neoprene
Cable	SOOW



REVISION SYMBOL

THIS DRAWING CONTAINS PROPRIETARY INFORMATION OF AK INDUSTRIES. USE, DUPLICATION OR DISCLOSURE, IN WHOLE OR IN PART, IS STRICTLY PROHIBITED WITHOUT EXPRESS WRITTEN PERMISSION OF AN AUTHORIZED REPRESENTATIVE OF AK INDUSTRIES.

UNLESS OTHERWISE SPECIFIED  
DIMENSIONS ARE IN INCHES  
TOLERANCES ARE:

FRACTIONS DECIMALS ANGLES  
±1/16 .XX±.015 ±1/2°  
.XXX±.005  
.XXXX±.0010

BREAK ALL SHARP EDGES & CORNERS  
R.015. ALL DIA. TO BE  
CONCENTRIC WITHIN .004 TIR.

FINISH 125

DO NOT SCALE DRAWING

ORIGINAL JOB NO.

NAME DATE

ENGR SCC 6/21/23

CHKD

APPRV



GD&T IAW ASME Y14.5



AK Industries phone: 310-762-1600  
3115 E. Las Hermanas St. fax: 310-762-1616  
Rancho Dominguez, CA 90221 e-mail: info@ak-ind.com

Inline (IL), Pigtail, 22 mm, SOOW Cable,  
Female Sockets

SIZE FSCM NO. DWG. NO. REV

B APPROXIMATE WEIGHT: LBS IL-22mm-FS 1

SCALE: SHEET 1 OF 1