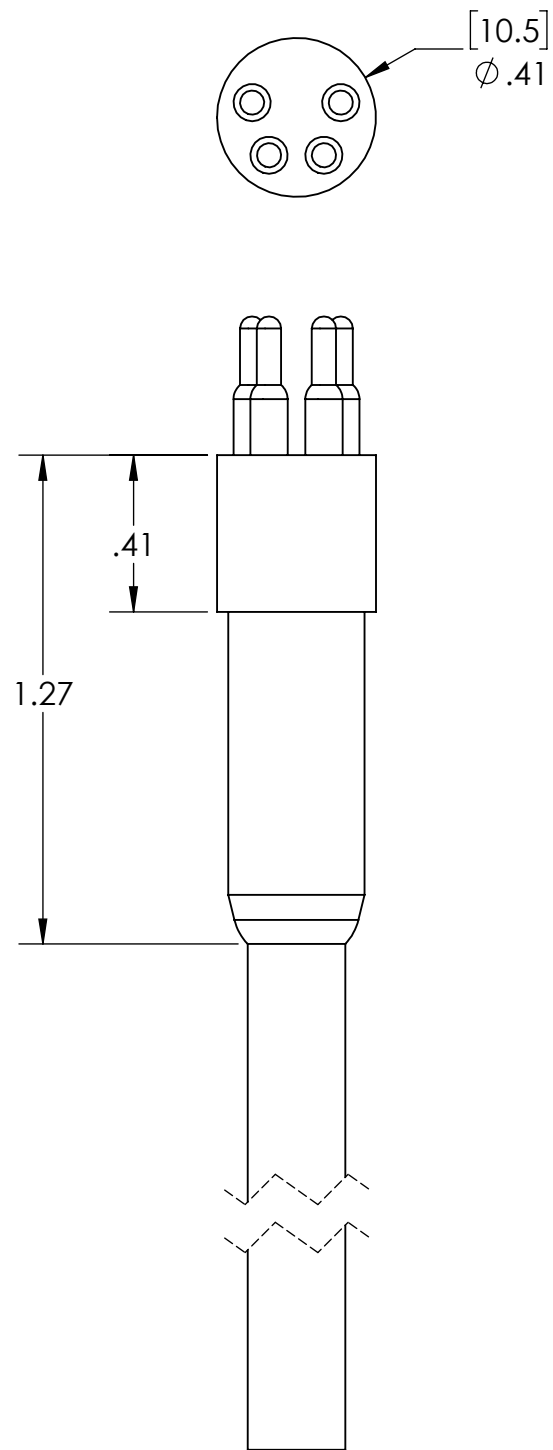
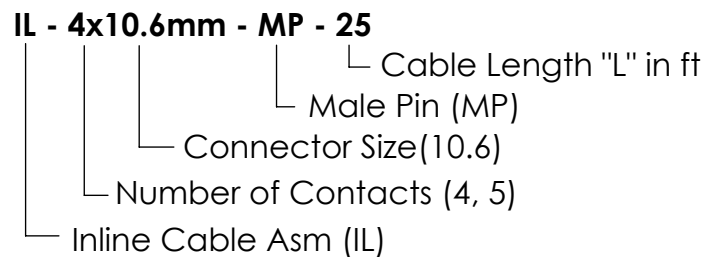


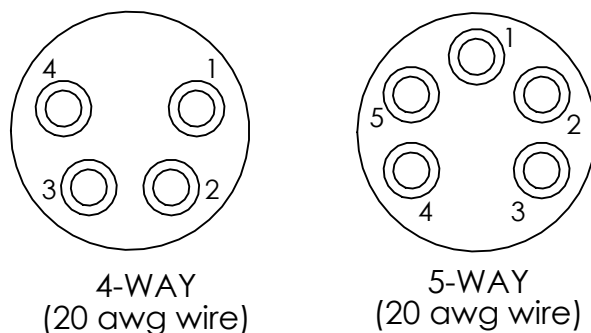
4-WAY SHOWN FOR REFERENCE



Part Numbering Scheme



CONTACT ARRANGEMENTS:



Contact to cable assignment
(Based on ICEA Method 1 Color Code)

Contact #	Wire Color
1	Black
2	White
3	Red
4	Green
5	Orange



* LOCKING SLEEVE ORDERED SEPARATELY

Specifications	
Voltage Rating	600V
Pressure Rating	3,000 psi
Pin Material	Gold Plated Cu Alloy
Dielectric Material	Neoprene
Cable	Special (HC1504)
* Locking Sleeve	Delrin

①	REVISION SYMBOL
THIS DRAWING CONTAINS PROPRIETARY INFORMATION OF AK INDUSTRIES. USE, DUPLICATION OR DISCLOSURE, IN WHOLE OR IN PART, IS STRICTLY PROHIBITED WITHOUT EXPRESS WRITTEN PERMISSION OF AN AUTHORIZED REPRESENTATIVE OF AK INDUSTRIES.	

UNLESS OTHERWISE SPECIFIED
DIMENSIONS ARE IN INCHES
TOLERANCES ARE:

FRACTIONS ±1/16	DECIMALS .XX ±.015 .XXX ±.005 .XXXX ±.0010	ANGLES ±1/2°
--------------------	---	-----------------

BREAK ALL SHARP EDGES & CORNERS
R.015. ALL DIA. TO BE
CONCENTRIC WITHIN .004 TIR.

FINISH 125

DO NOT SCALE DRAWING

ORIGINAL JOB NO.

NAME	DATE
ENGR SCC	3/3/24
CHKD	
APPRV	

THIRD ANGLE PROJECTION
GD&T IAW ASME Y14.5

AK Industries
3115 E. Las Hermanas St.
Rancho Dominguez, CA 90221
phone: 310-762-1600
fax: 310-762-1616
e-mail: info@ak-ind.com

Inline (IL), Pigtail, 10.6 mm, Special Cable, Male Pins

SIZE B	FSCM NO.	DWG. NO. IL-10.6mm-MP	REV 1
SCALE:	APPROXIMATE WEIGHT: LBS		SHEET 1 OF 1

REVISIONS			
REV.	DESCRIPTION	DATE	APPROVED
0	PRODUCTION RELEASE	3/3/2024	SCC
1	FIXED 5-WAY ARRANGEMENT ORIENTATION	3/13/2024	SCC