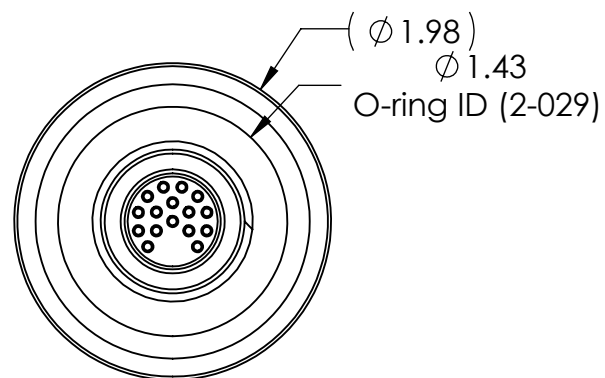
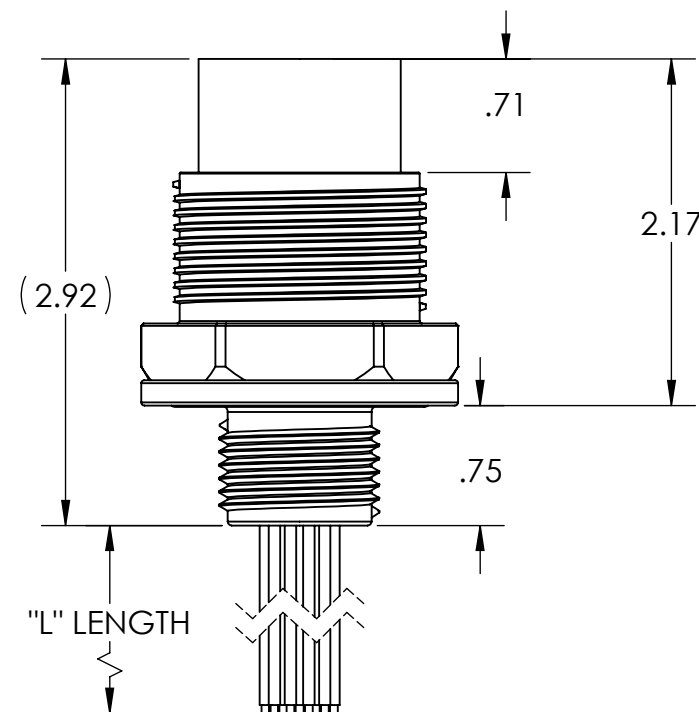


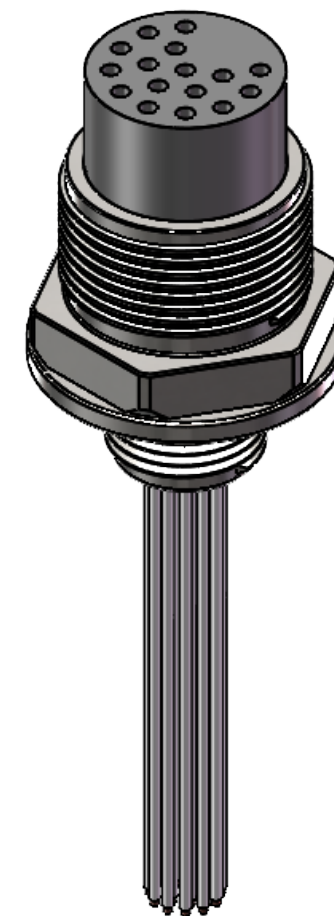
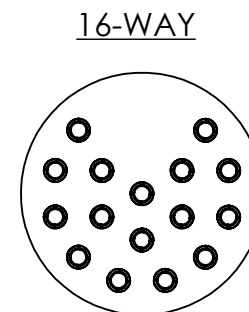
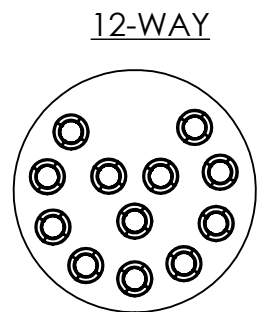
16-WAY SHOWN FOR REFERENCE



Part numbering scheme

BCR1 a - 12x32mm - FS - 5

- Bulkhead Connector Receptacle, Face Seal (BCR1)
- Bulkhead Mtrl (a=Aluminum 6061, b=brass, p=peek, s=316 SST, t=titanium)
- Number of Contacts (12, 16)
- Connector Siz (32)
- Female Socket (FS)
- Cable Length "L" in ft



Specifications

Voltage Rating	600V
Pressure Rating	10,000 psi
Shell Material	(see p/n scheme)
Socket Material	Gold Plated Cu Alloy
Dielectric Material	Neoprene
Wires	Teflon



REVISION SYMBOL

THIS DRAWING CONTAINS PROPRIETARY INFORMATION OF AK INDUSTRIES. USE, DUPLICATION OR DISCLOSURE, IN WHOLE OR IN PART, IS STRICTLY PROHIBITED WITHOUT EXPRESS WRITTEN PERMISSION OF AN AUTHORIZED REPRESENTATIVE OF AK INDUSTRIES.

UNLESS OTHERWISE SPECIFIED
DIMENSIONS ARE IN INCHES
TOLERANCES ARE:
FRACTIONS ±1/16 DECIMALS .XX±.015 ANGLES ±1/2°
 .XXX±.005
 .XXXX±.0010
BREAK ALL SHARP EDGES & CORNERS
R.015. ALL DIA. TO BE
CONCENTRIC WITHIN .004 TIR.
FINISH 125

ORIGINAL JOB NO.

NAME	DATE
ENGR SCC	8/26/23
CHKD	
APPRV	



THIRD ANGLE PROJECTION
GD&T IAW ASME Y14.5



AK Industries phone: 310-762-1600
3115 E. Las Hermanas St. fax: 310-762-1616
Rancho Dominguez, CA 90221 e-mail: info@ak-ind.com

BCR, 32 mm, Face Seal, Sockets

SIZE	FSCM NO.	DWG. NO.	REV
B		BCR1-32mm-FS	0
SCALE:	APPROXIMATE WEIGHT: LBS		SHEET 1 OF 1