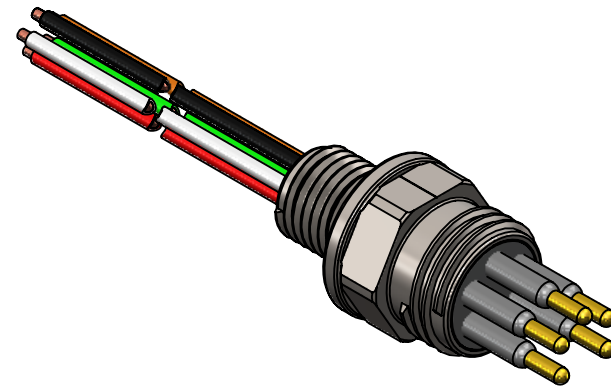
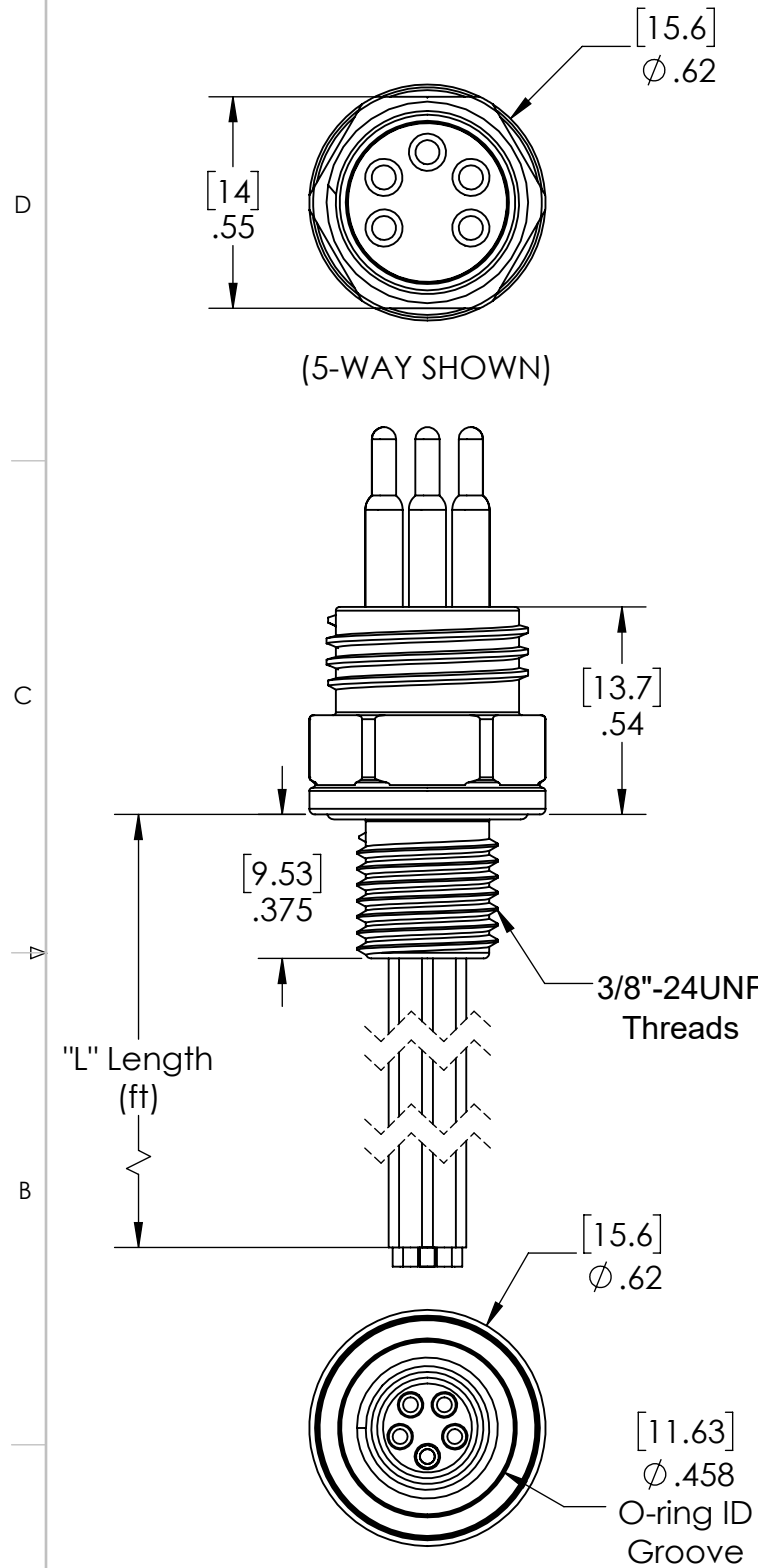


REVISIONS			
REV.	DESCRIPTION	DATE	APPROVED
0	INITIAL RELEASE	4/10/2024	AK

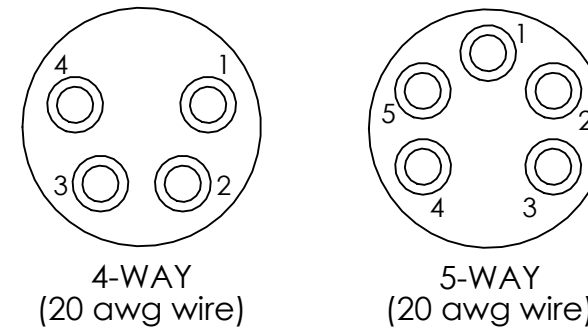
Part numbering scheme

BCR1 s - 5x10.6mm - MP - 5

- Bulkhead Connector Receptacle, Face Seal (BCR1)
- Bulkhead Mtrl (a=aluminum 6061, b=brass, p=peek, s=316 SST, t=titanium)
- Number of Contacts(4, 5)
- Connector Size(10.6mm)
- Male Pin (MP)
- Wire Length "L" in ft



CONTACT ARRANGEMENTS:




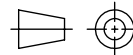
Contact to Wire Assignment (Based on ICEA Method T Color Code)

Contact #	Wire Color
1	Black
2	White
3	Red
4	Green
5	Orange

Specifications	
Voltage Rating	250V
Pressure Rating	3,000 psi (Standard), 5,000 psi upon request
Shell Material	(see p/n table)
Contact Material	Gold Plated Cu Alloy
Dielectric Material	Neoprene
Wires	Teflon insulated

① REVISION SYMBOL

THIS DRAWING CONTAINS PROPRIETARY INFORMATION OF AK INDUSTRIES. USE, DUPLICATION OR DISCLOSURE, IN WHOLE OR IN PART, IS STRICTLY PROHIBITED WITHOUT EXPRESS WRITTEN PERMISSION OF AN AUTHORIZED REPRESENTATIVE OF AK INDUSTRIES.

UNLESS OTHERWISE SPECIFIED DIMENSIONS ARE IN INCHES TOLERANCES ARE:		ORIGINAL JOB NO/ CUSTOMER/PROJECT		 AK Industries 3115 E. Las Hermanas St. Rancho Dominguez, CA 90221 phone: 310-762-1600 fax: 310-762-1616 e-mail: info@ak-ind.com					
FRACTIONS ±1/16	DECIMALS .XX±.015 .XXX±.005 .XXXX±.0010	ANGLES ±1/2°	NAME	DATE	BCR, 10.6 mm, Face Seal, Pins				
BREAK ALL SHARP EDGES & CORNERS R.015. ALL DIA. TO BE CONCENTRIC WITHIN .004 TIR.			ENGR	SCC		4/5/2024			
FINISH 125			CHKD						
DO NOT SCALE DRAWING			APPRV	AK	4/10/2024	SIZE	FSCM NO.	DWG. NO.	REV
			 THIRD ANGLE PROJECTION		B			BCR1-10.6mm-MP	0
			GD&T IAW ASME Y14.5		SCALE:		APPROXIMATE WEIGHT: LBS		SHEET 1 OF 1