

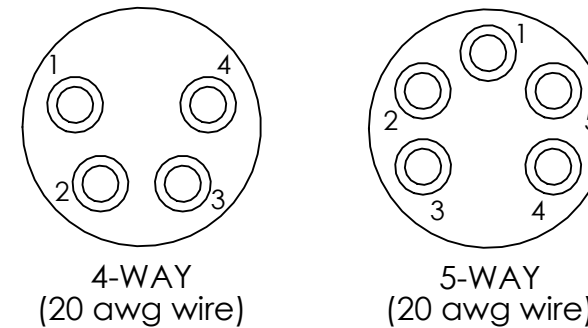
REVISIONS			
REV.	DESCRIPTION	DATE	APPROVED
0	INITIAL RELEASE	4/10/2024	AK

### Part numbering scheme

**BCR1 s - 5x10.6mm - FS - 5**

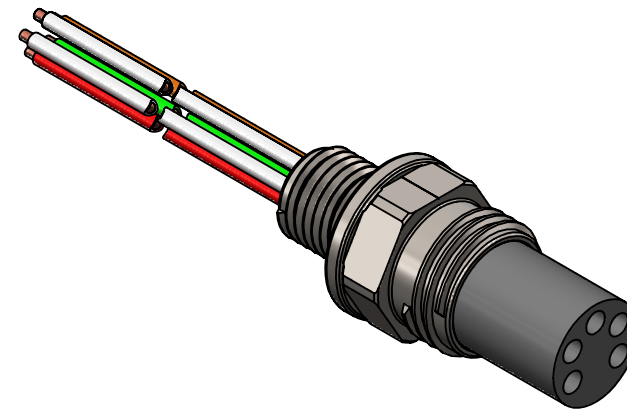
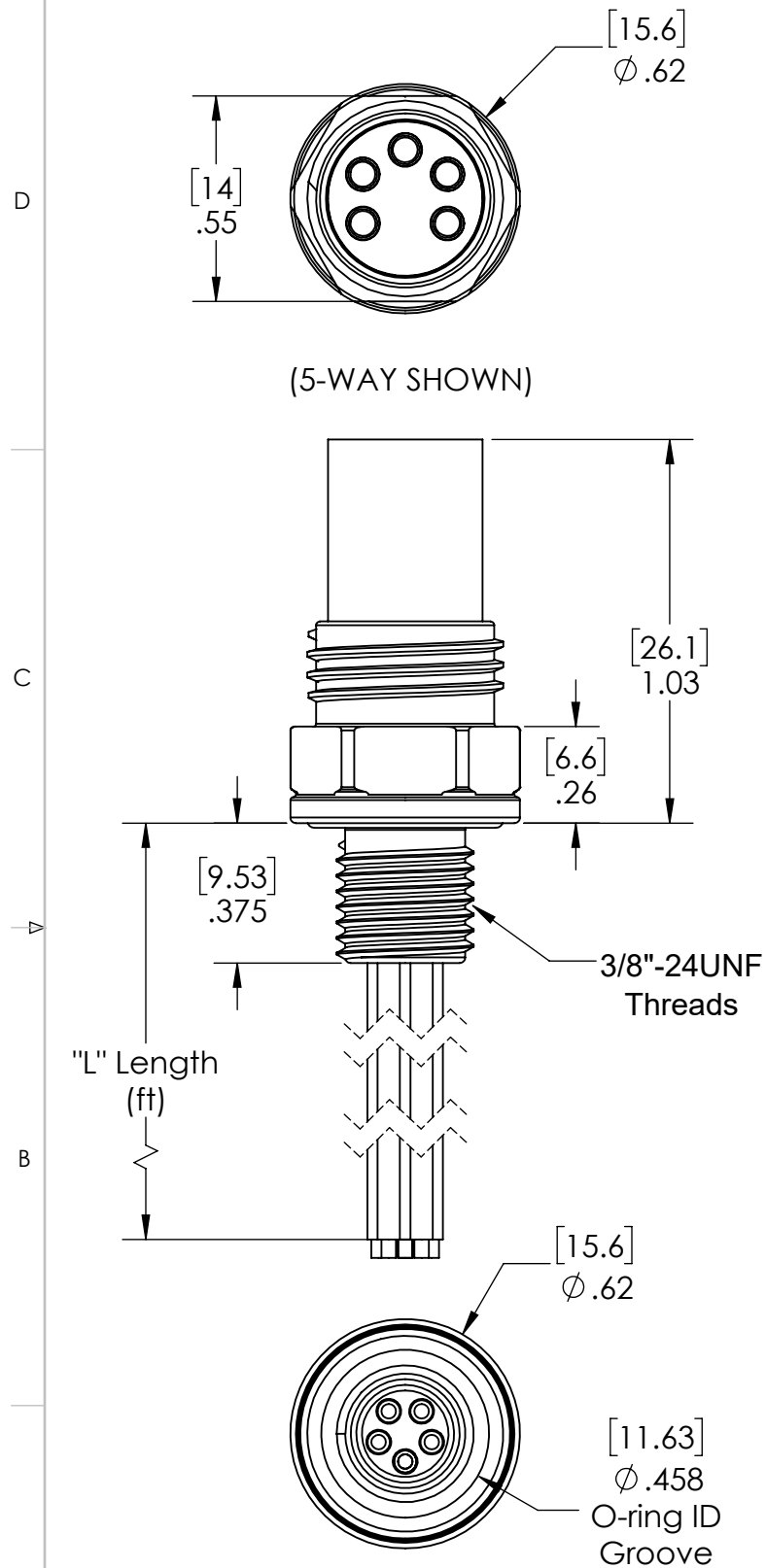
- BCR1 - Bulkhead Connector Receptacle, Face Seal
- s - Bulkhead Mtrl (a=aluminum 6061, b=brass, p=peek, s=316 SST, t=titanium)
- 5 - Number of Contacts (4, 5)
- 10.6mm - Connector Size
- FS - Female Socket
- 5 - Wire Length "L" in ft

### CONTACT ARRANGEMENTS:



### Contact to Wire Assignment (Based on ICEA Method T Color Code)

Contact #	Wire Color
1	Black
2	White
3	Red
4	Green
5	Orange



### Specifications

Voltage Rating	250V
Pressure Rating	3,000 psi (Standard), 5,000 psi upon request
Shell Material	(see p/n table)
Contact Material	Gold Plated Cu Alloy
Dielectric Material	Neoprene
Wires	Teflon insulated

1 REVISION SYMBOL

THIS DRAWING CONTAINS PROPRIETARY INFORMATION OF AK INDUSTRIES. USE, DUPLICATION OR DISCLOSURE, IN WHOLE OR IN PART, IS STRICTLY PROHIBITED WITHOUT EXPRESS WRITTEN PERMISSION OF AN AUTHORIZED REPRESENTATIVE OF AK INDUSTRIES.

UNLESS OTHERWISE SPECIFIED DIMENSIONS ARE IN INCHES TOLERANCES ARE:

FRACTIONS	DECIMALS	ANGLES
±1/16	.XX±.015	±1/2°
	.XXX±.005	
	.XXXX±.0010	

BREAK ALL SHARP EDGES & CORNERS R.015. ALL DIA. TO BE CONCENTRIC WITHIN .004 TIR.

FINISH 125

DO NOT SCALE DRAWING

ORIGINAL JOB NO/  
CUSTOMER/PROJECT

AK Industries  
3115 E. Las Hermanas St.  
Rancho Dominguez, CA 90221  
phone: 310-762-1600  
fax: 310-762-1616  
e-mail: info@ak-ind.com

NAME: SCC DATE: 4/7/2024

CHKD:

APPRV: AK DATE: 4/10/2024

THIRD ANGLE PROJECTION

GD&T IAW ASME Y14.5

SIZE: B FSCM NO. DWG. NO. BCR1-10.6mm-FS REV: 0

SCALE: APPROXIMATE WEIGHT: LBS SHEET 1 OF 1